



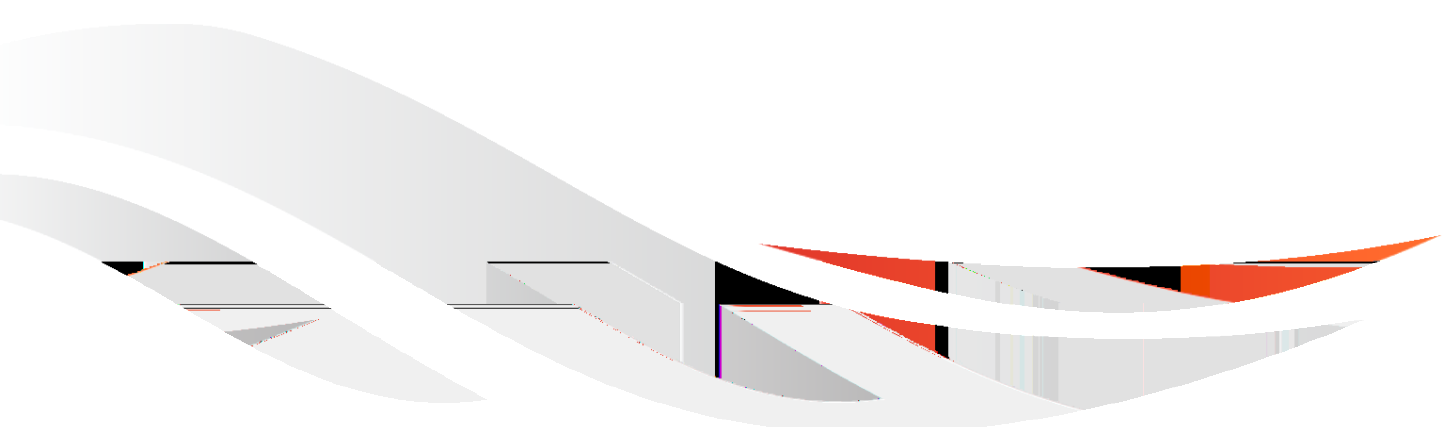
# **EVB\_EC600X、EC800X**

## **使用说明**

\_EVB\_ 0X、E800X

3.2

11 07



\_\_\_\_\_

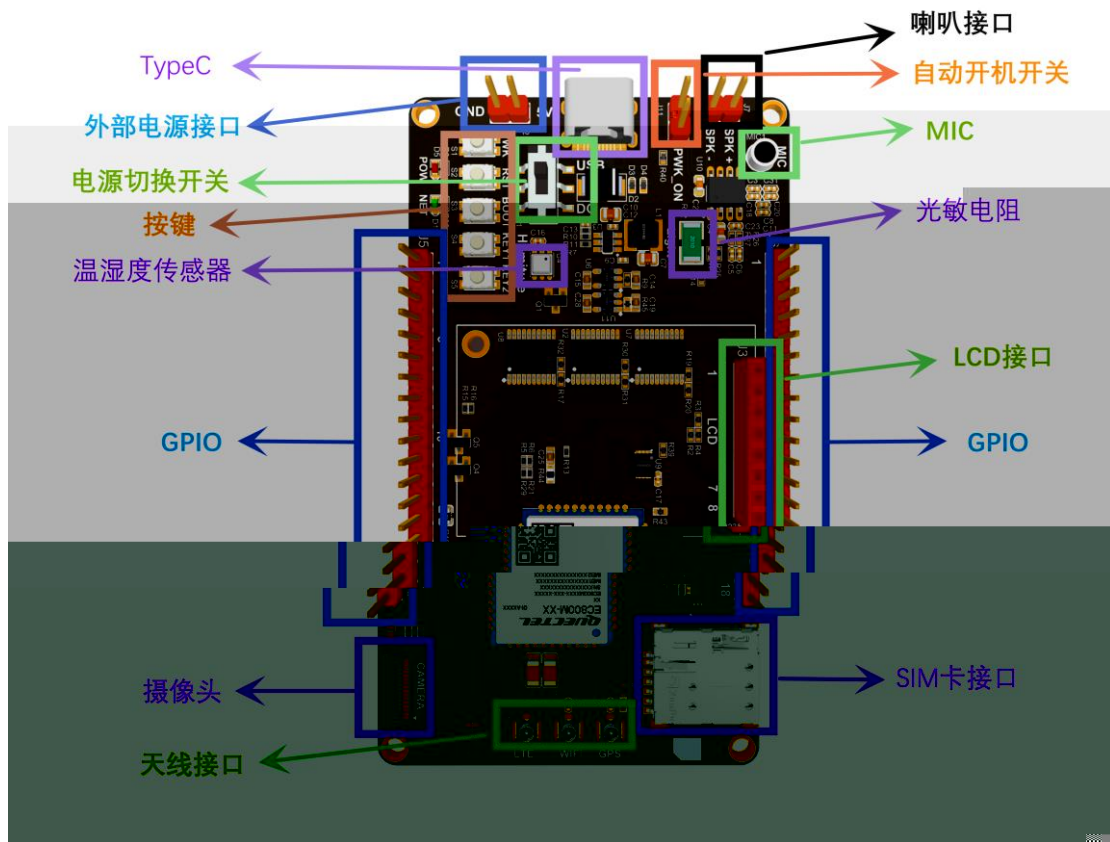
\_\_\_\_\_

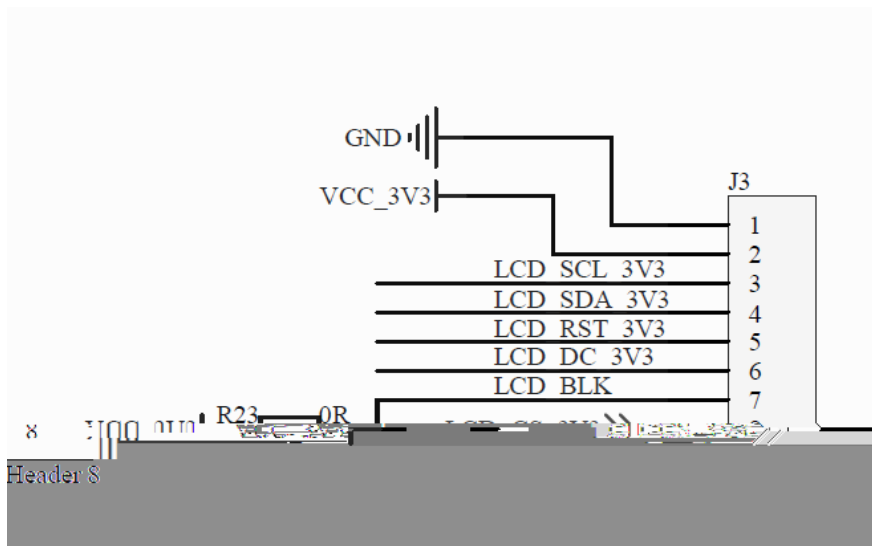
\_\_\_\_\_

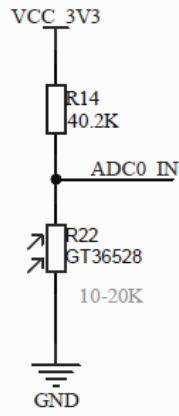
EC600X— EC600 EC600N EC600U EC600M  
EC800X— EC800 EC800M EC800E  
EVB—  
V3.X--



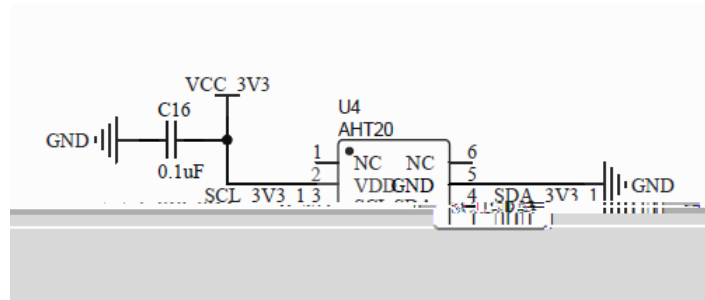
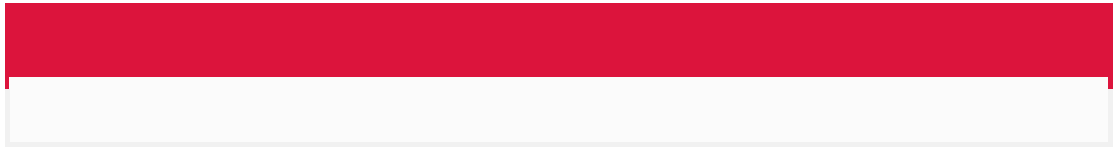


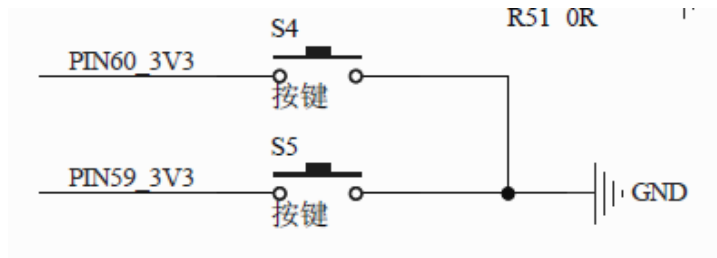
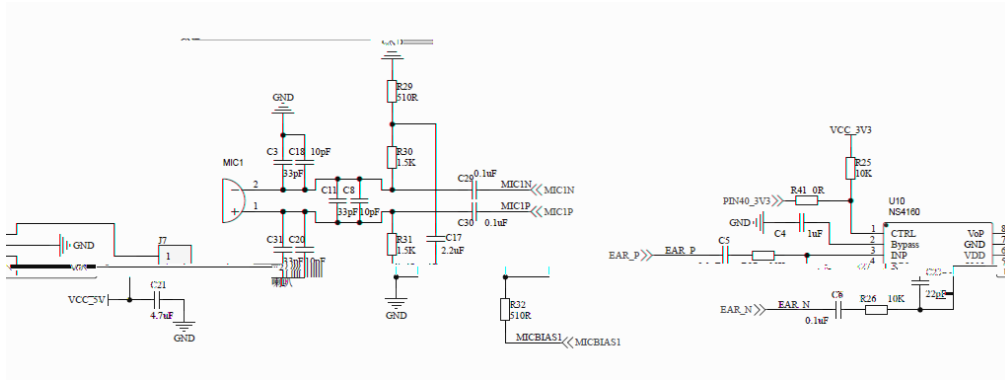




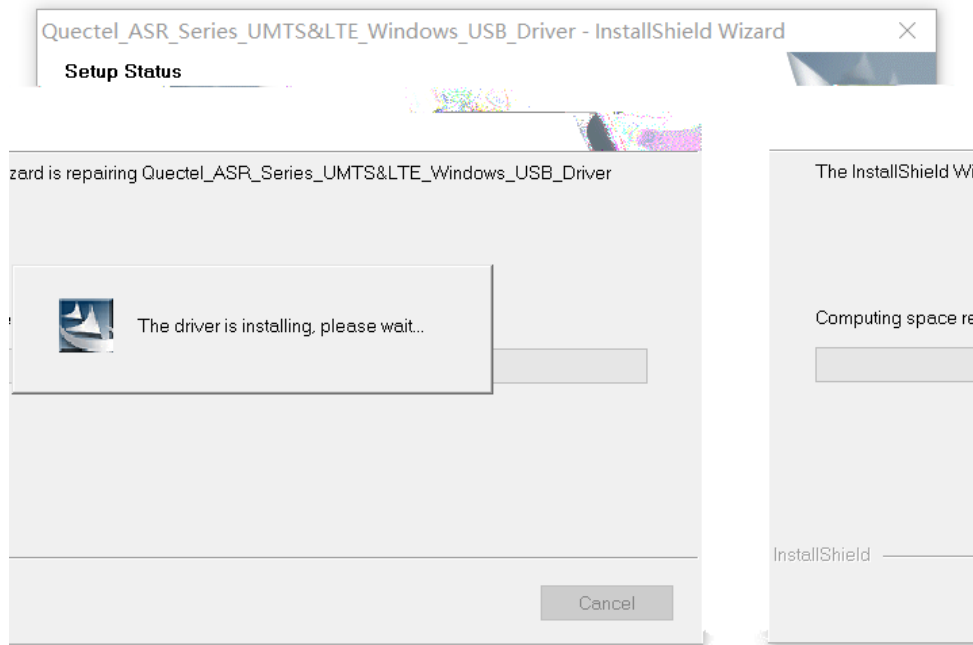


光敏电阻





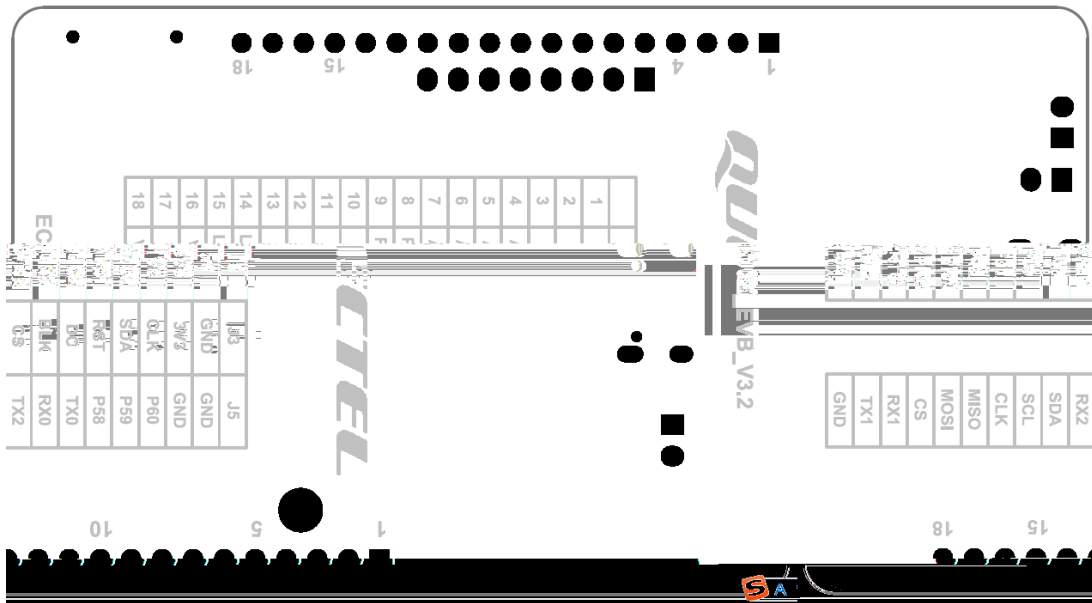
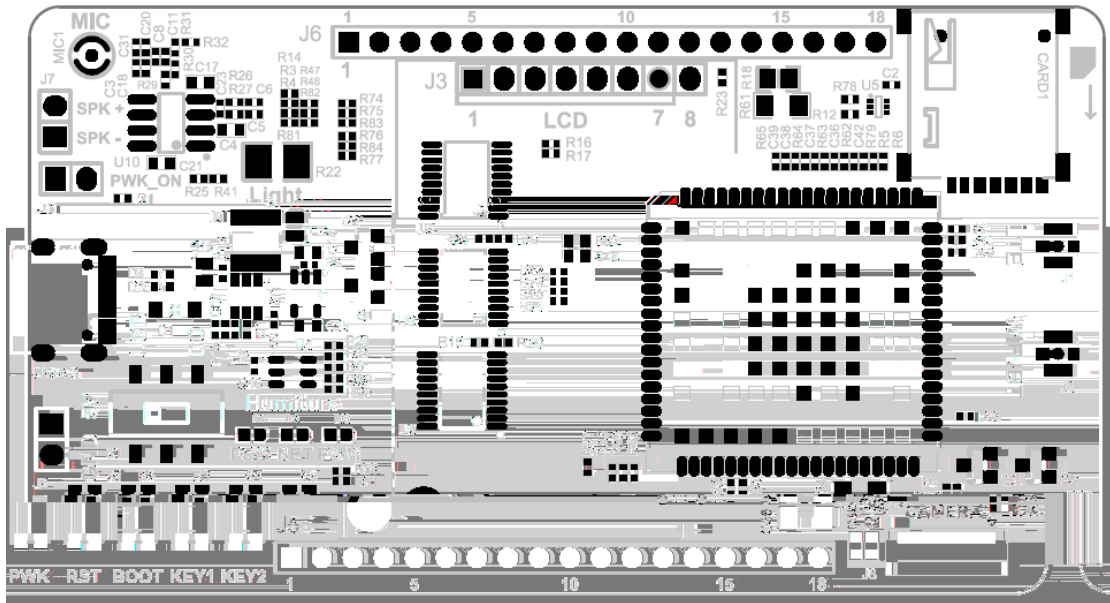
setup.exe





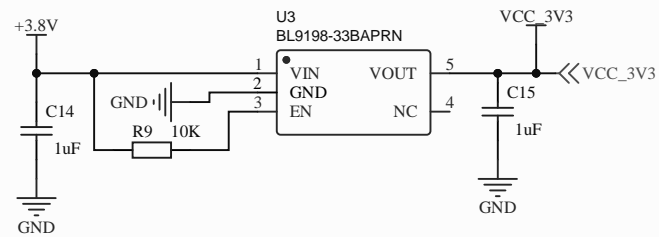
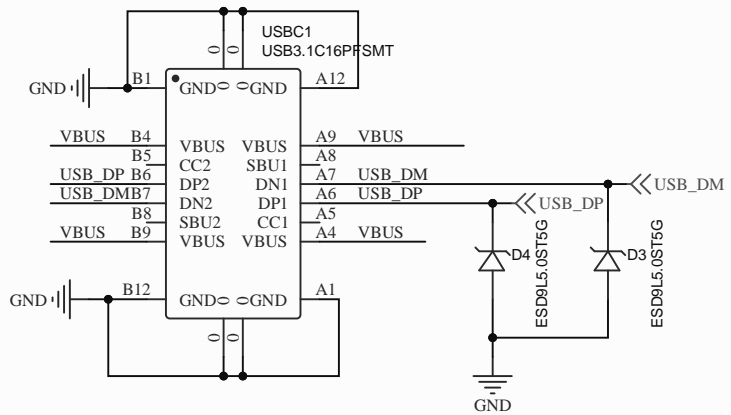
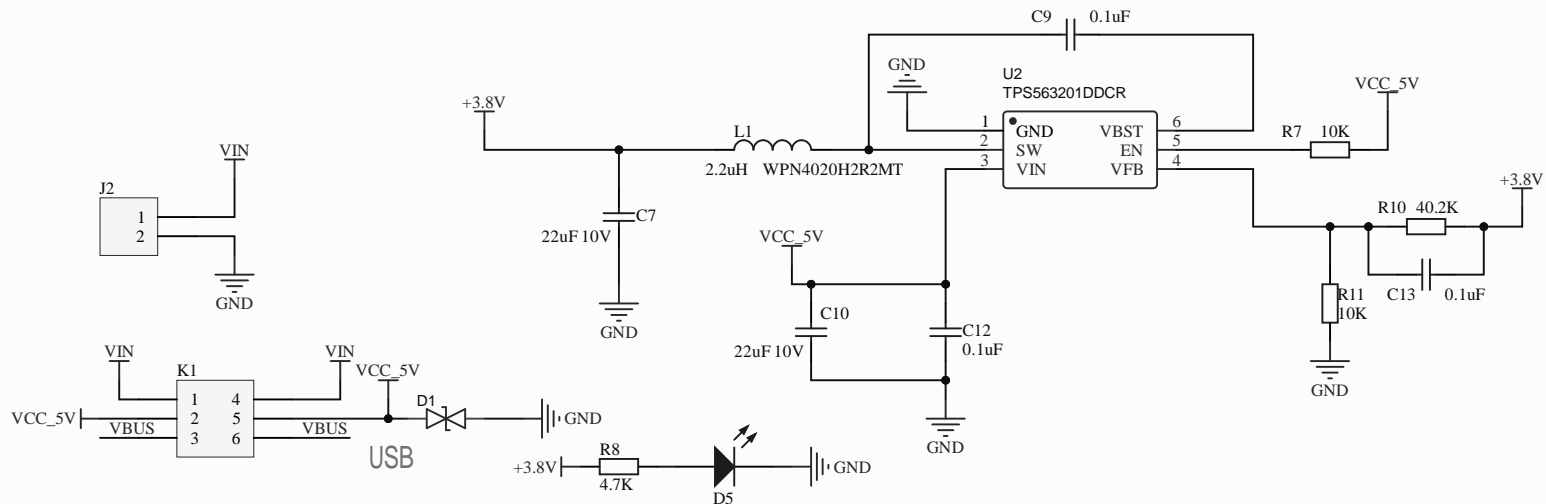




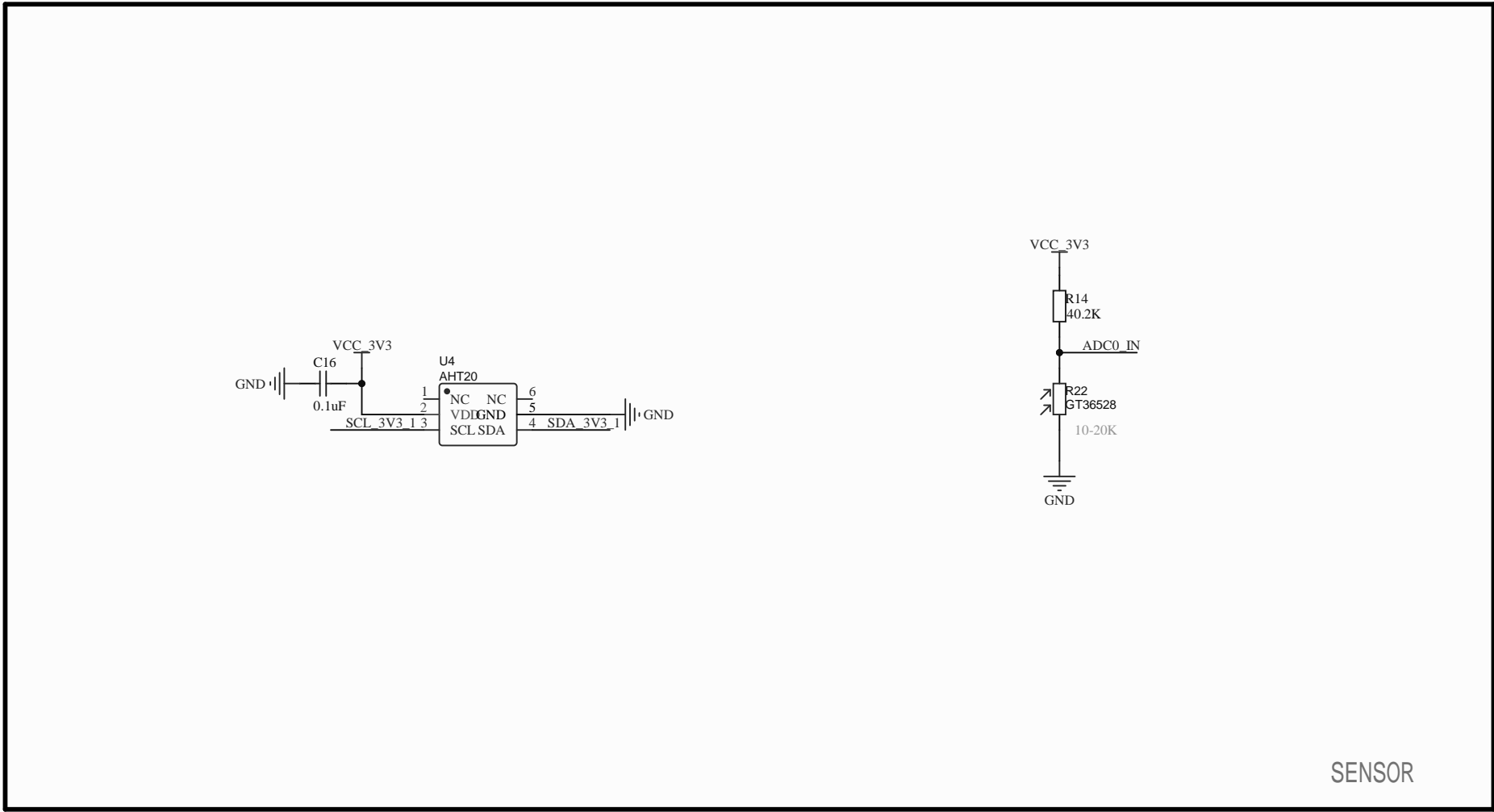




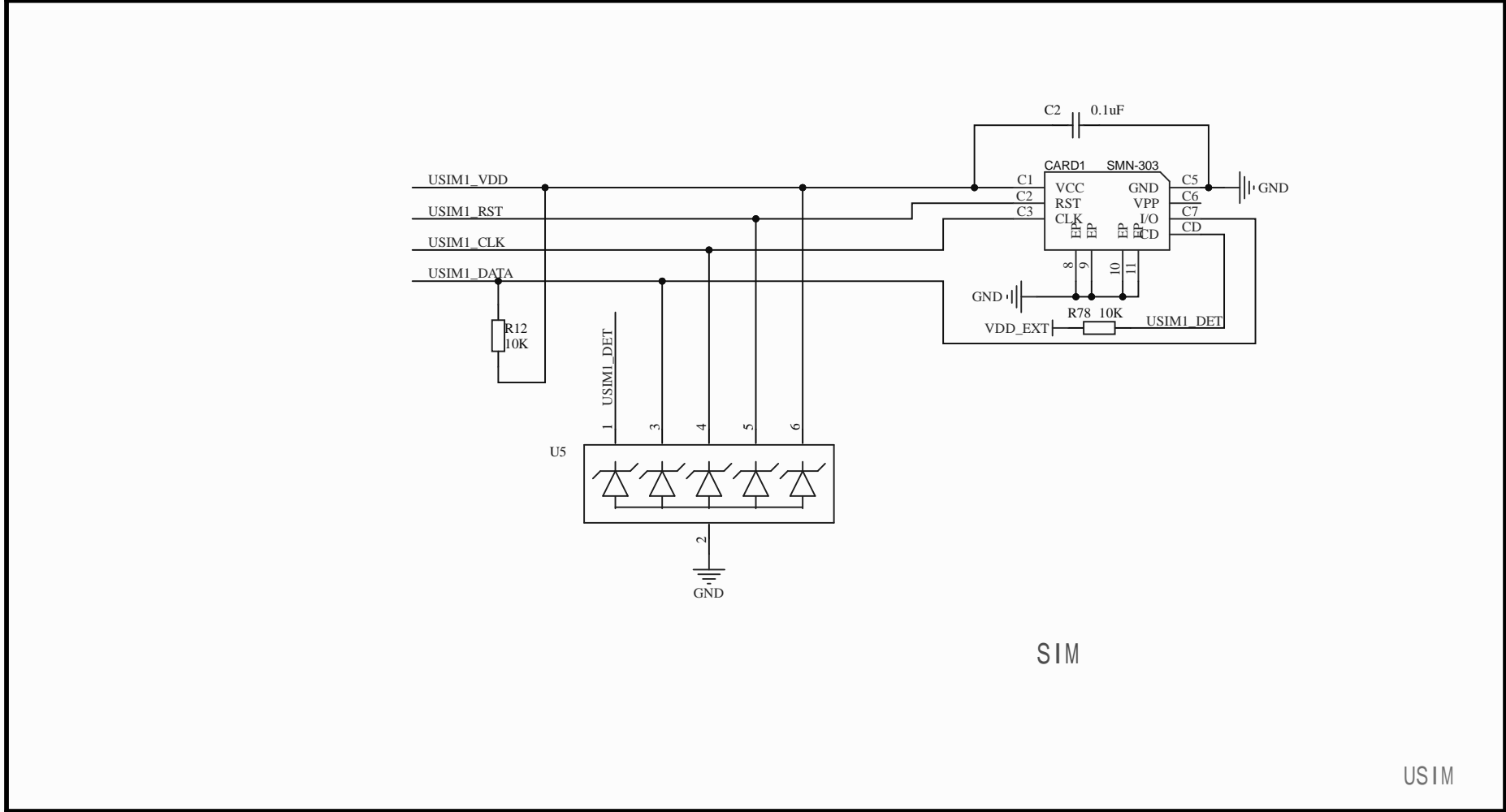




Title		
Size A4	Number	Revision
Date:	3-31-2023	Sheet of
File:	G:\...\2.POWER.SchDoc	Drawn By:



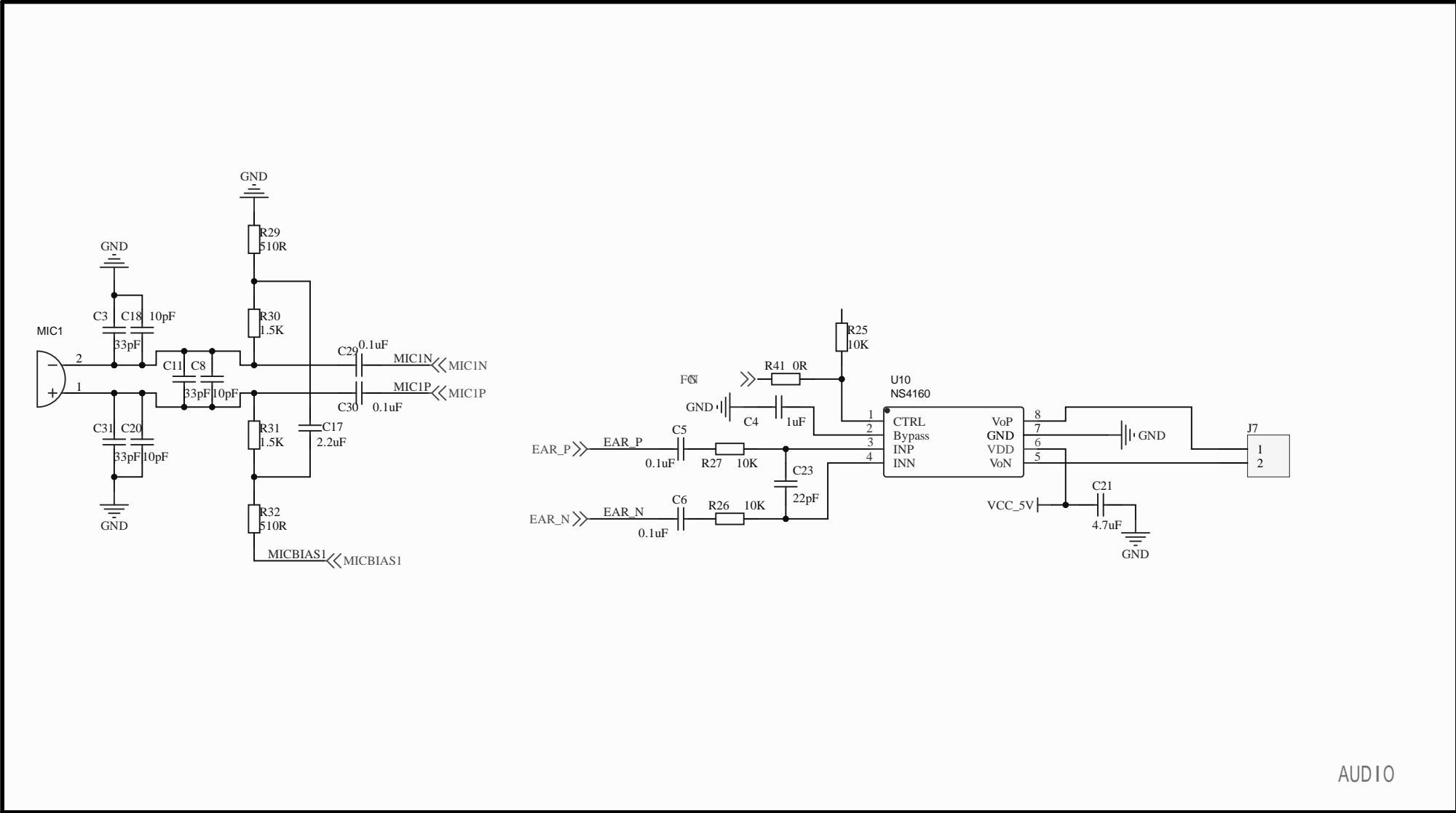
Title		
Size A4	Number	Revision
Date:	3-31-2023	Sheet of
File:	G:\...\3.SENSOR+EEPROM.SchDoc Drawn By:	



SIM

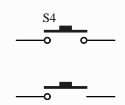
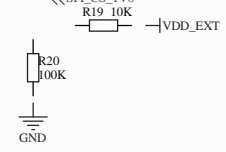
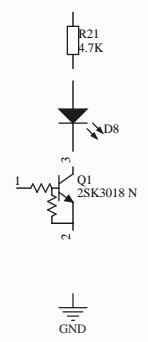
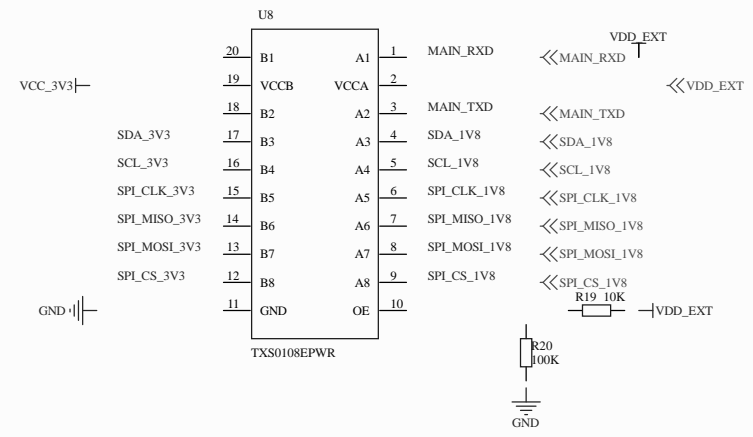
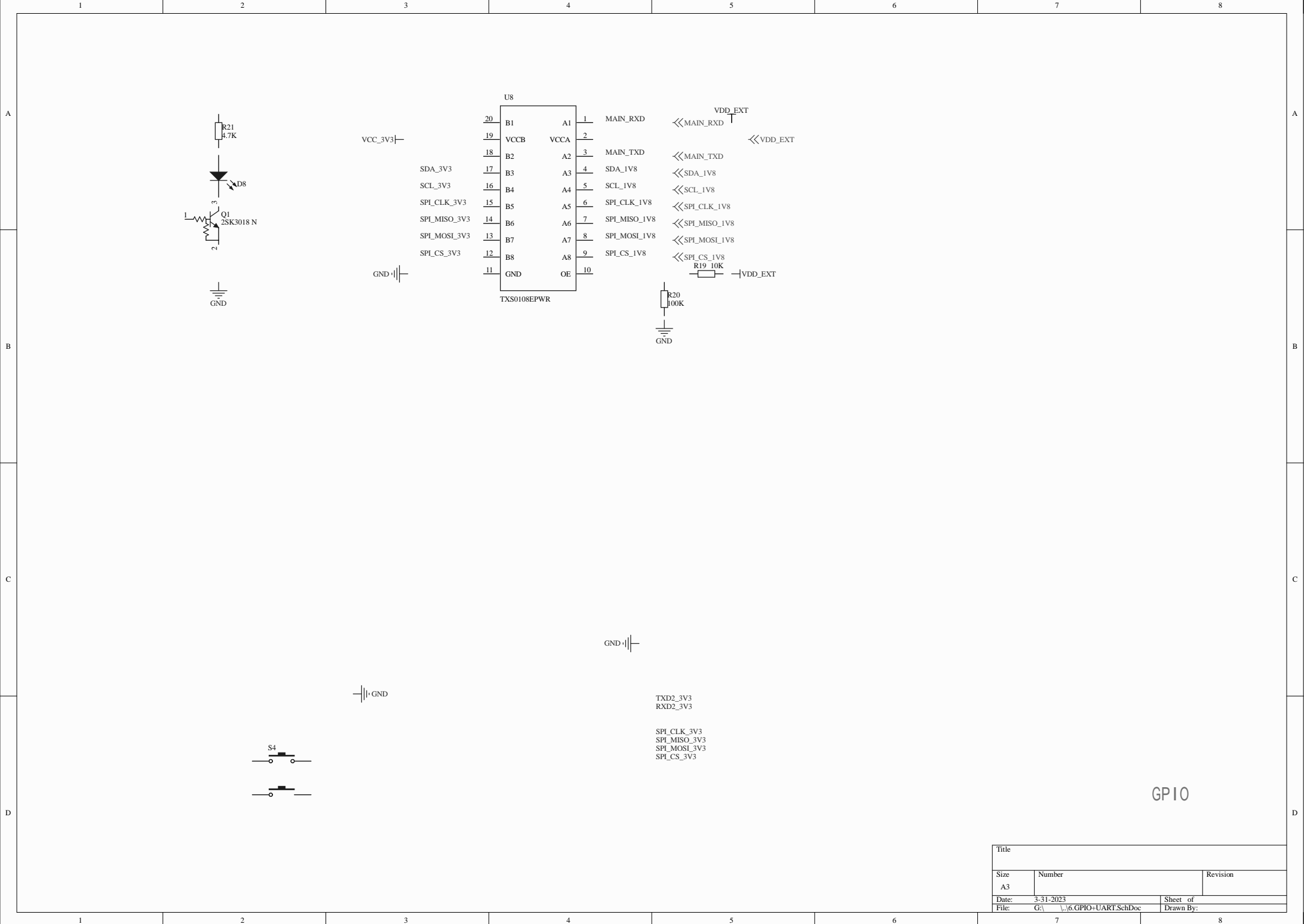
USIM

Title		
Size A4	Number	Revision
Date:	3-31-2023	Sheet of
File:	G:\...4.SIM-CARD.SchDoc	Drawn By:



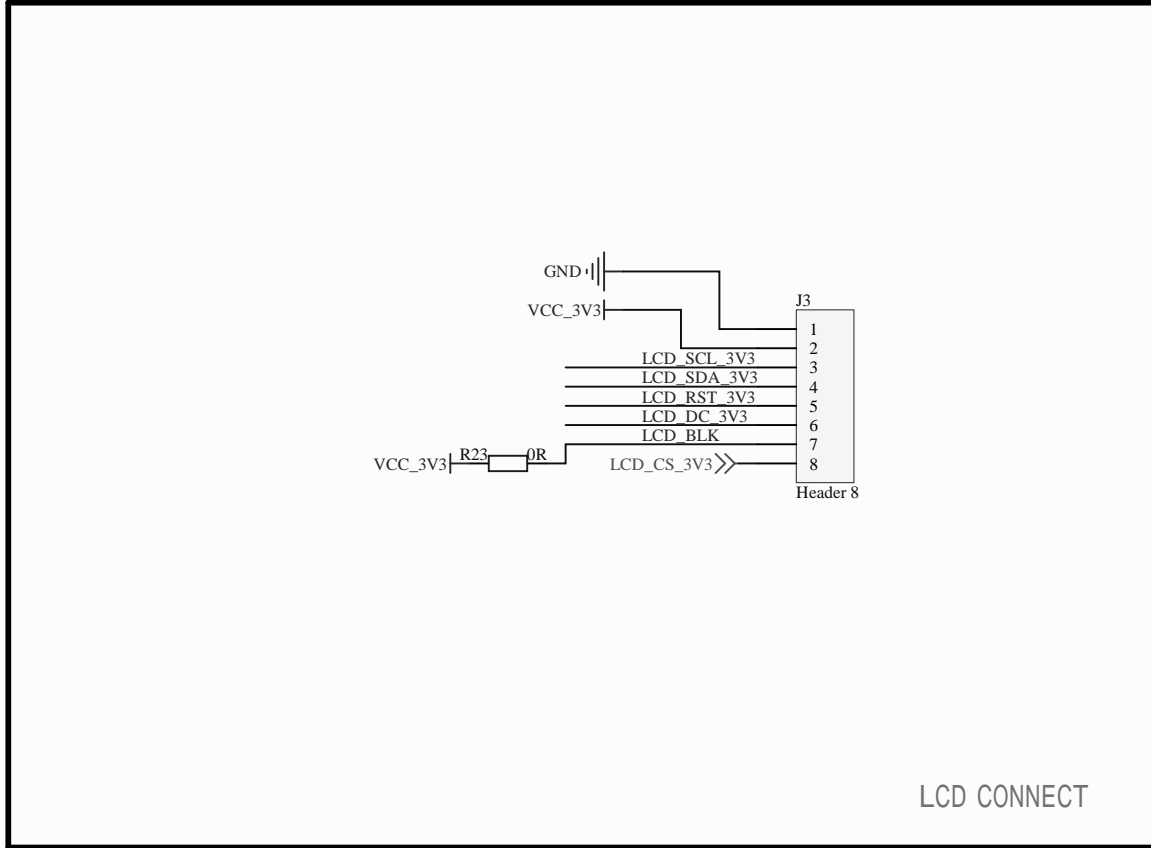
AUDIO

Title		
Size	Number	Revision
A4		
Date:	3-31-2023	Sheet of
File:	G:\...5.AUDIO.SchDoc	Drawn By:



GPIO

Title		
Size A3	Number	Revision
Date: 3-31-2023	Sheet of	Drawn By:
File: G:\...6.GPIO+UART.SchDoc		

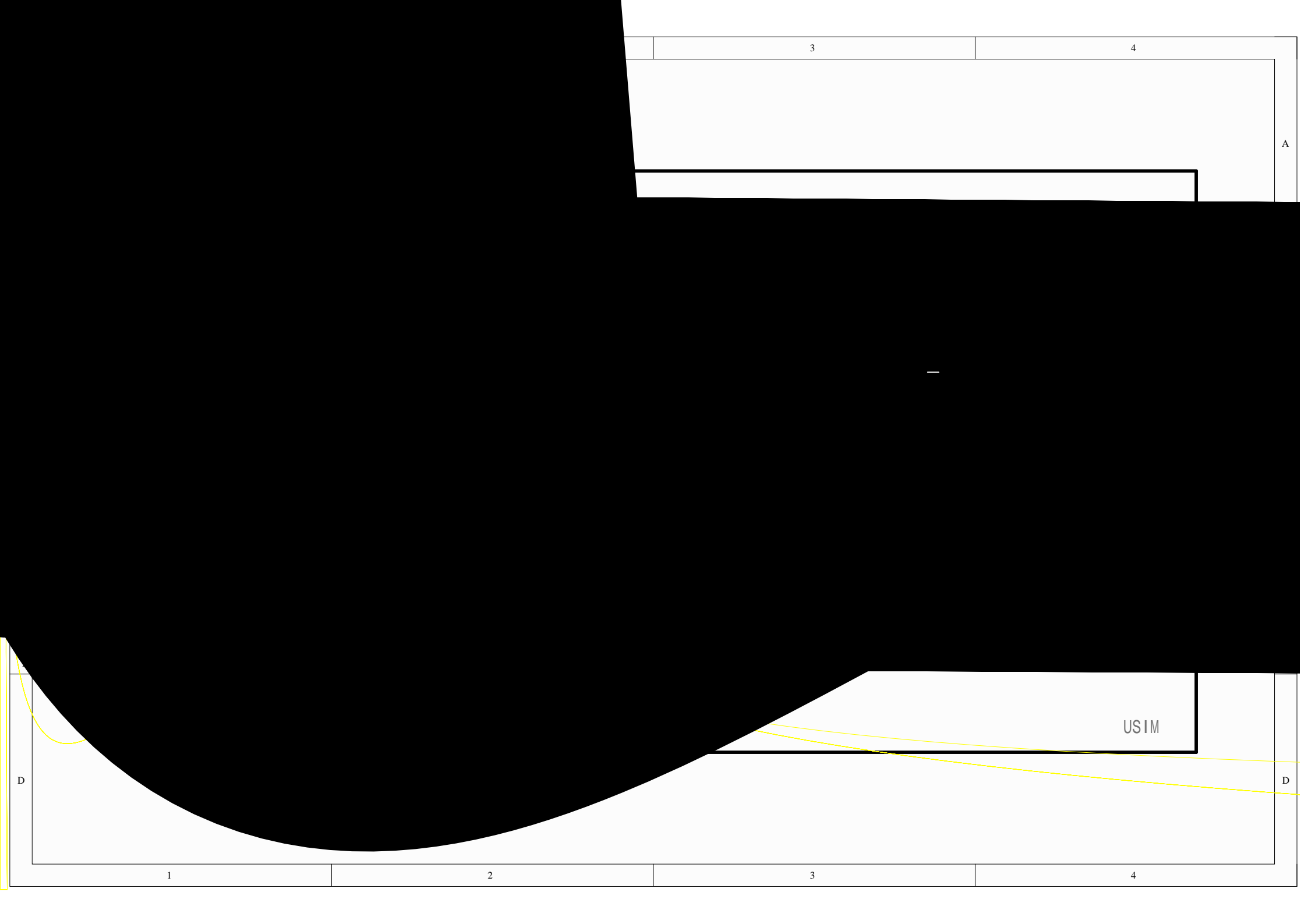


LCD CONNECT

Title		
Size A4	Number	Revision
Date:	3-31-2023	Sheet of
File:	G:\...\7.LCM.SchDoc	Drawn By:







3

4

A

USIM

D

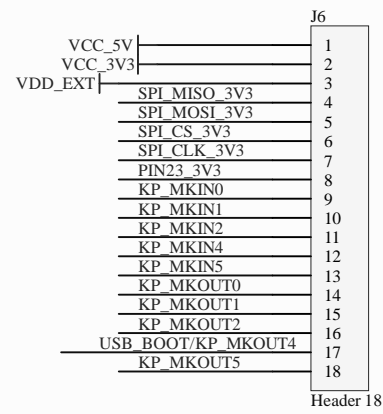
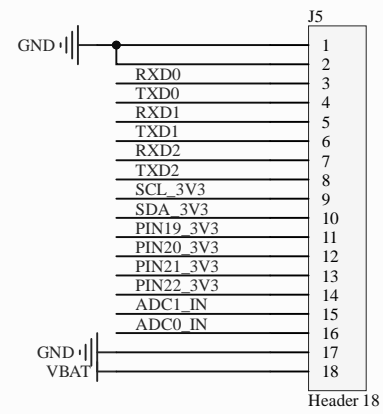
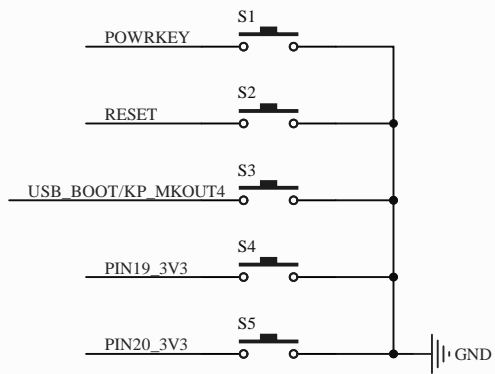
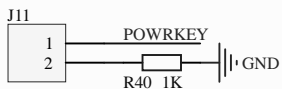
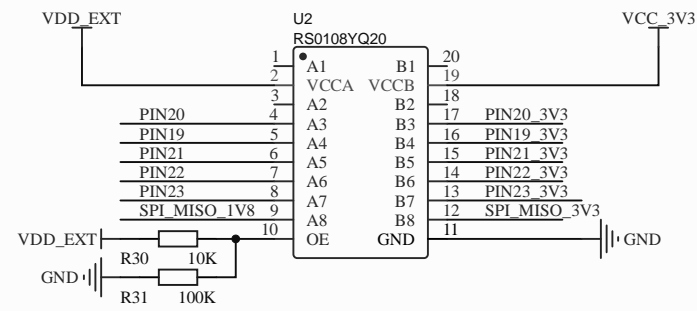
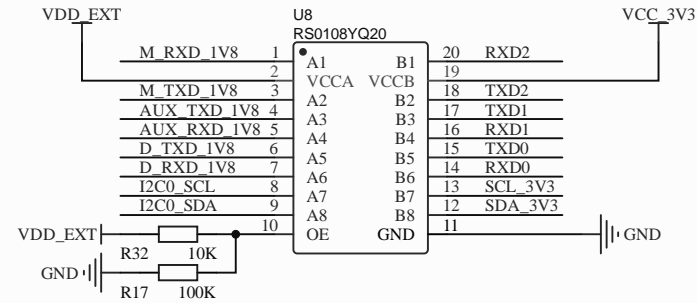
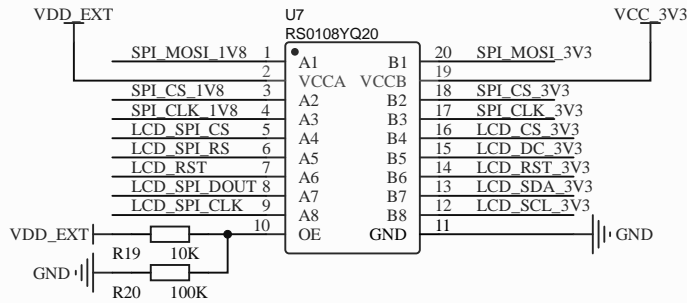
D

1

2

3

4



GPIO

1

2

3

4

A

A

B

B

C

C

D

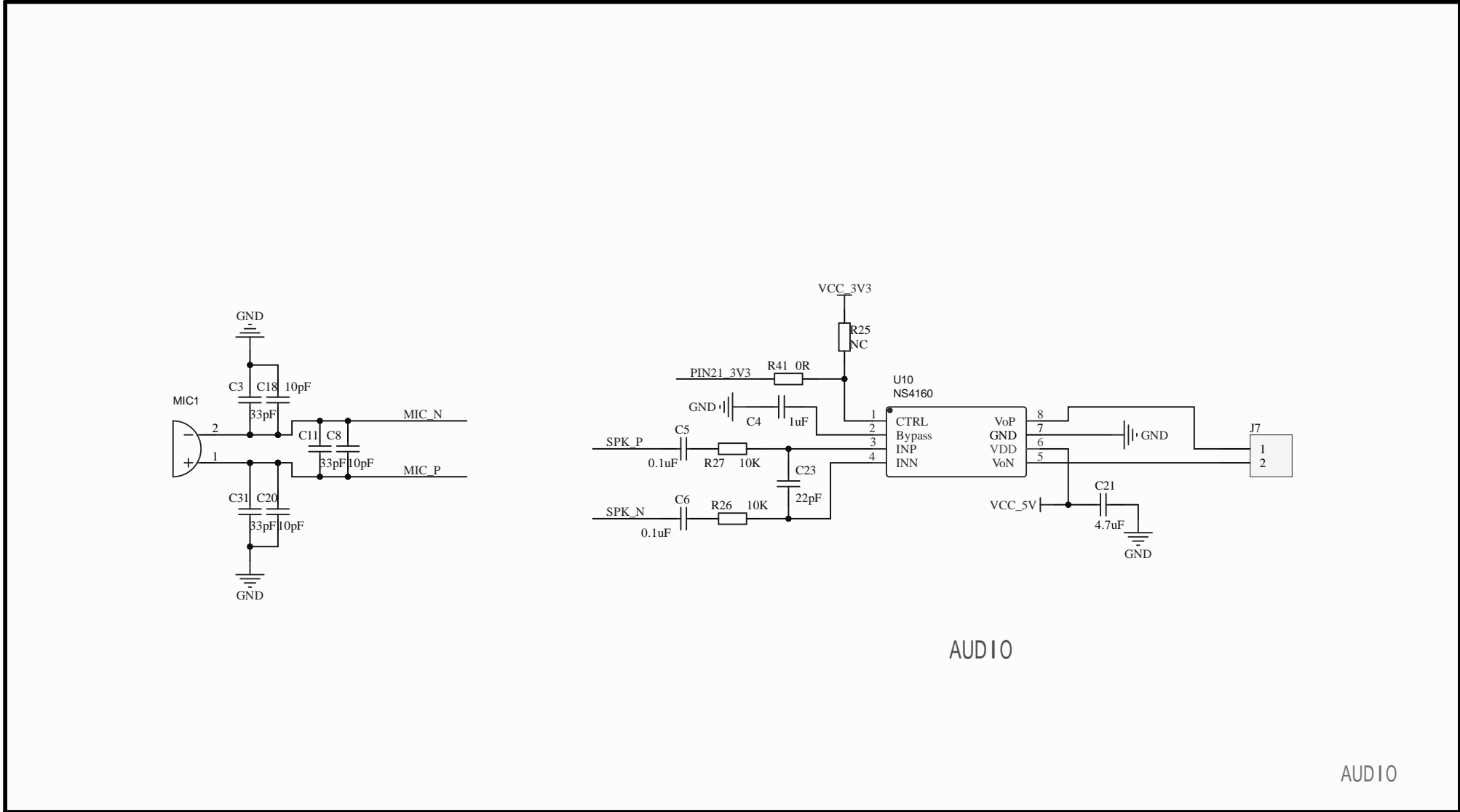
D

1

2

3

4



AUDIO

AUDIO

1

2

3

4

A

A

B

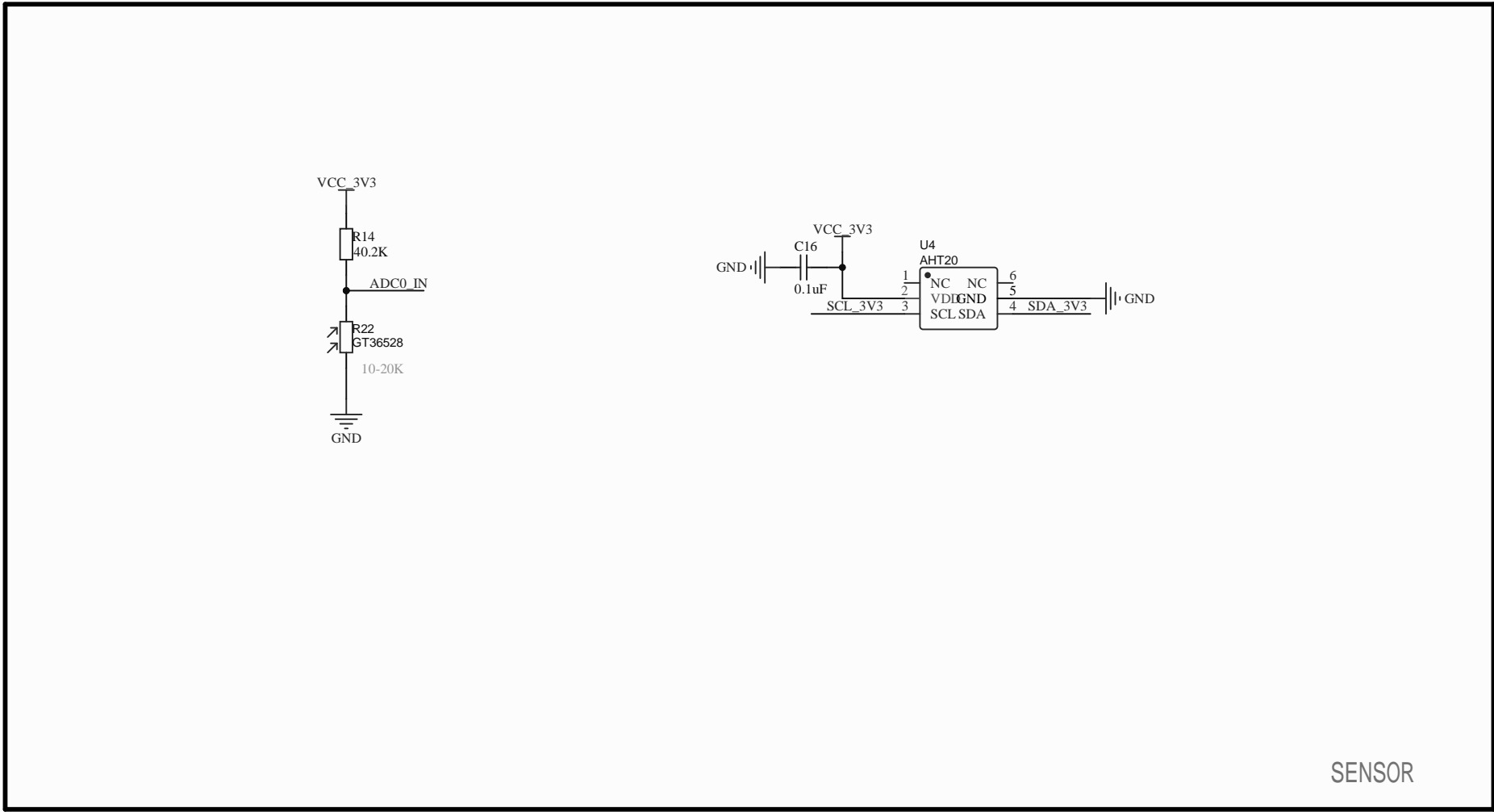
B

C

C

D

D



1

2

3

4

1

2

3

4

A

A

B

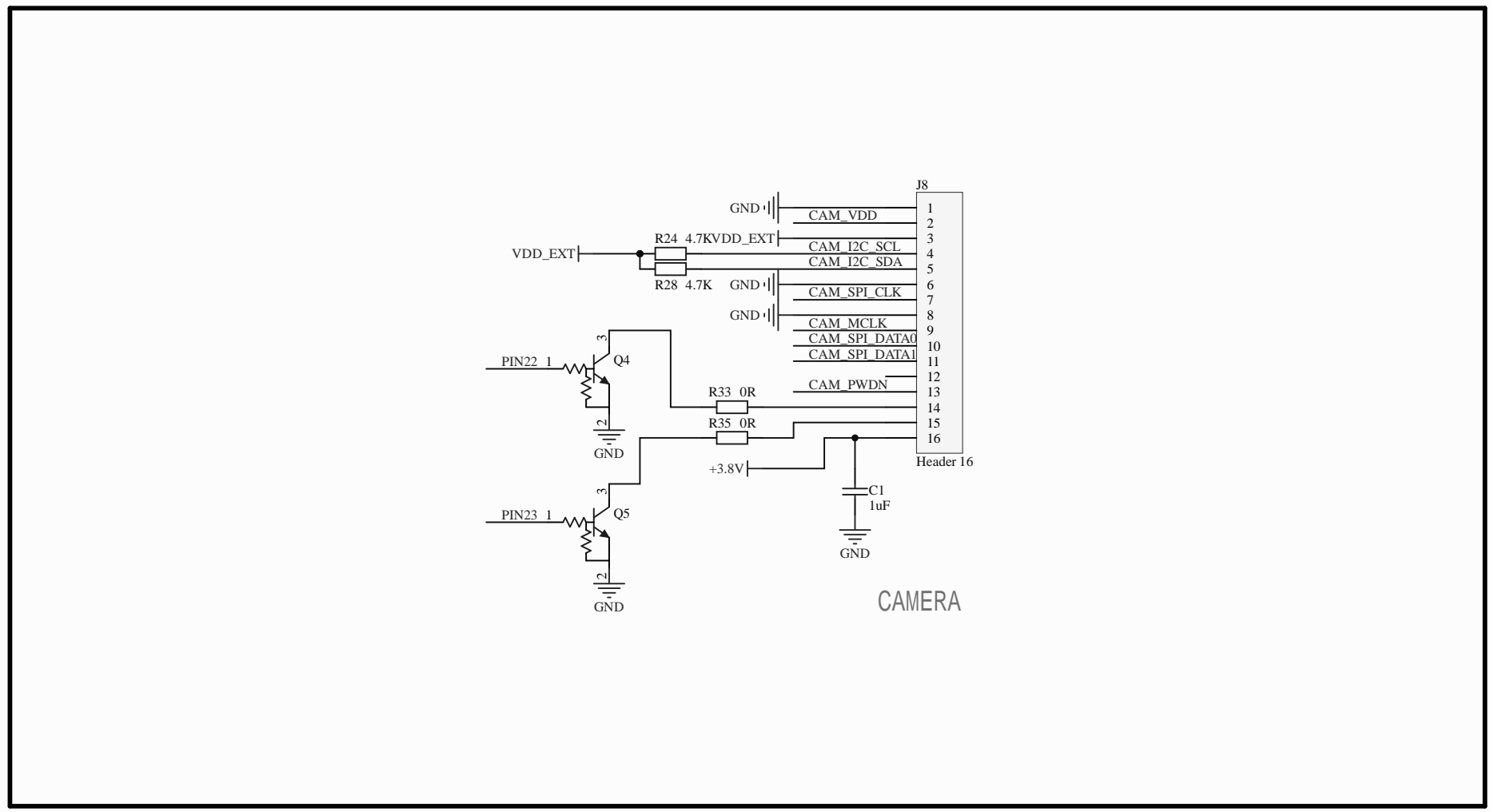
B

C

C

D

D



1

2

3

4

1

2

3

4

A

A

B

B

C

C

D

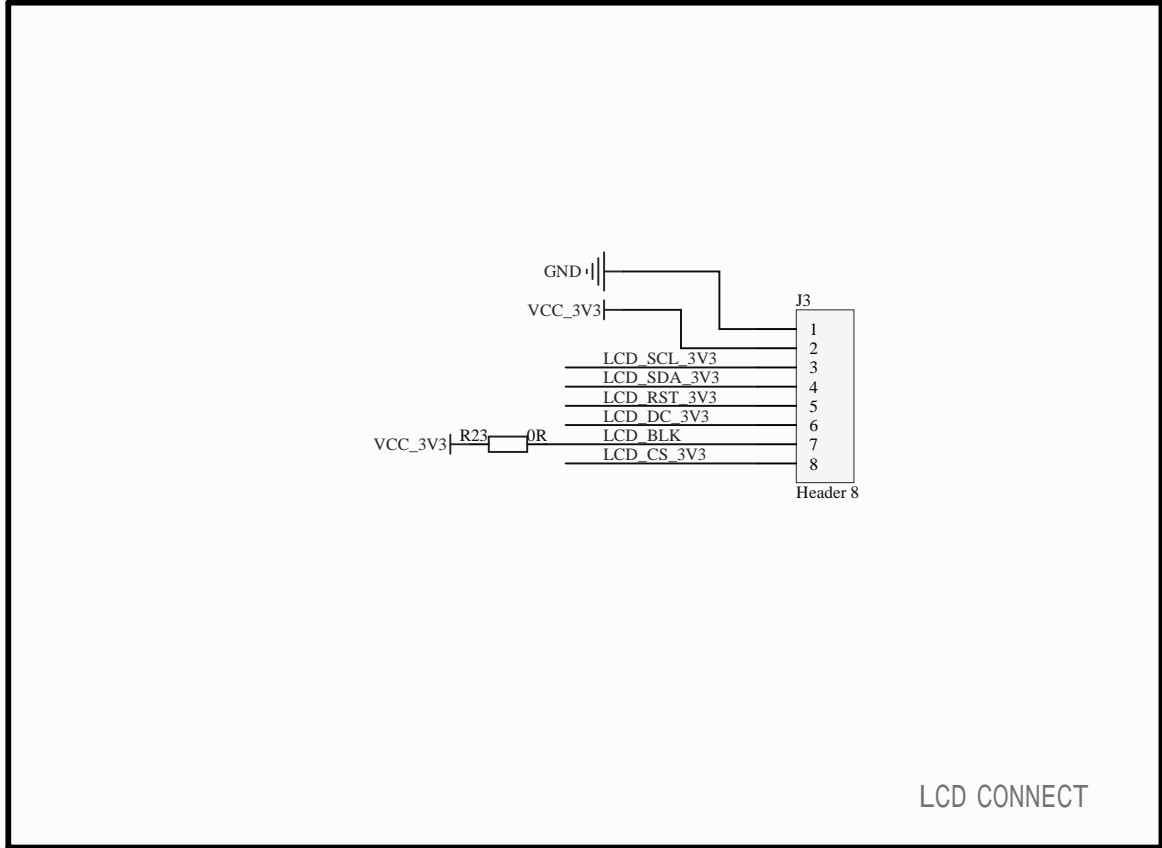
D

1

2

3

4



LCD CONNECT

1

2

3

4

A

A

B

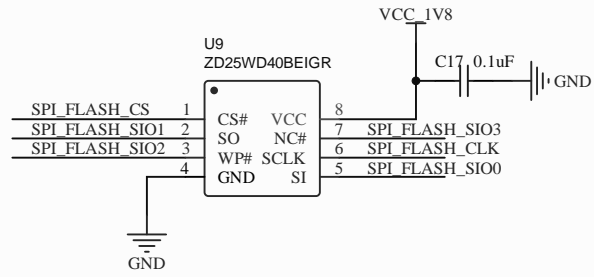
B

C

C

D

D



Flash

1

2

3

4